



# SWISS-TYPE AUTOMATIC LATHE CSL PRECISE SERIES

## BL-CSL125

JAPANESE TECHNOLOGY, DUAL SPINDLE, 5 AXES



### Features:

- Dual spindle, total 5 axes, especially suitable for super small diameter workpiece (1~5mm)
- Adopt similar structure as JAPANESE machine
- Adopt JAPANESE technology, most parts adopt GERMANY/JAPAN/TAIWAN brand
- Adopt meehanite resin sand cast iron, after aging treatment, small distortion, good heat stability and high rigidity
- Adopt high precision built-in electro-spindle, NSK/NTN super high precise angle contact ball bearing, achieve spindle's high rigidity and good precision retention, spindle flop  $\leq 2\mu\text{m}$
- Can achieve turning/milling/drilling etc combined machining by side-mounted live tool and CS axes
- After mount automatic bar feeder, can realize automatic machining
- Suitable for complex, small-sized, precise, slender axes workpiece machining



# SWISS-TYPE AUTOMATIC LATHE CSL PRECISE SERIES

## BL-CSL125

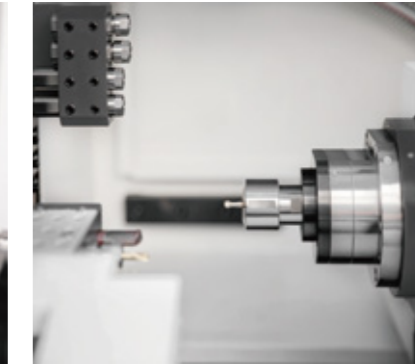
JAPANESE TECHNOLOGY, DUAL SPINDLE, 5 AXES



Inside



Back spindle static tool holders



Back spindle



Parts catcher



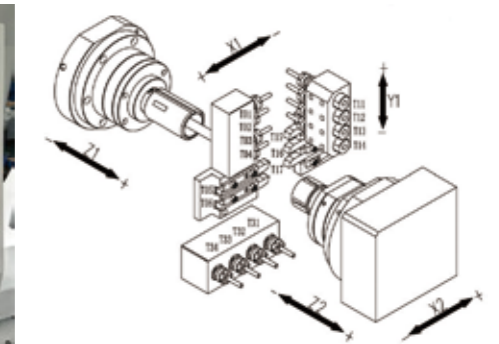
Electricity cabinet



SYNTEC 220TB CNC controller



FANUC 01 TF CNC controller



Tools distribution

### Main parts list:

Item	Brand	Item	Brand
CNC controller	TAIWAN-SYNTEC	Linear guideway	TAIWAN-HIWIN
Servo electro-spindle	OWN-MADE	Lubrication system	JAPAN-HERG
Servo motor&driver	TAIWAN-SYNTEC	Main electricity parts	FRANCE-SCHNEIDER
Spindle encoder	TAIWAN-SYNTEC	Pneumatic parts	TAWAN-AIRTAC
Spindle bearing	JAPAN-NSK/NTN P4 CLASS	Lock nuts	TAIWAN-YINSH
Ball screw bearing	JAPAN-NSK/NACHI	Shaft coupling	GERMANY-KTR
Ball screw	TAIWAN-HIWIN		

### Standard configuration:

- SYNTEC 22TB CNC controller
- Fixed guide bushing or guide bushless
- Parts catcher& convey belt

### Optional configuration:

- High pressure coolant system
- Oil mist collection system
- Various plug-in type attachments
- Automatic chip conveyor
- Bar feeder

Specification:				
Item	Specification	Unit	BL-CSL125	
Capacity	Max. machineable bar dia.	mm	Φ12	
	Main spindle bore	mm	Φ16	
	Max. machineable length	Fixed guide bushing	mm	180(one time feed)
		Rotary guide bushing	mm	60(one time feed)
		Guide bushless	mm	30
	Max. face drilling dia.	mm	Φ7	
	Max. face tapping dia.	mm	M6	
Main spindle	Main spindle type	/	Servo electro-spindle	
	Main spindle max speed	rpm	10000(Rotary guide bushing:8000*)	
	Main spindle power	kw	1.5	
	Main spindle index	/	CS axes(continuation),electromagnetic brake	
	O.D. turning tool	mm	5×□10	
	Main spindle radial type live tool	mm	4×ER11	
	Main spindle radial type live tool max speed	rpm	6000	
	Main spindle radial type live tool power	kw	0.75	
	Main spindle axial static type drilling tool	mm	4×ER11	
Back spindle	Back spindle type	/	Servo electro-spindle	
	Back spindle max speed	rpm	10000	
	Back spindle power	kw	1.5	
	Back spindle index	/	CS axes(continuation),electromagnetic brake	
	Back spindle clamping dia.	mm	Φ1~12	
	Back spindle axial static type drilling tool	mm	4×ER11	
	Back spindle axial type live tool max speed	rpm	6000*	
	Back spindle axial type live tool power	kw	0.4*	
Others	Rapid moving speed(X1/Y1/Z1/X2/Z2)	m/min	24/30/30/24/24	
	Repeat positioning accuracy	mm	≤0.003	
	Coolant pump	kw	0.25	
	Overall size	mm	2100×1130×1690	
	N.W.	kg	1800	

\*As option