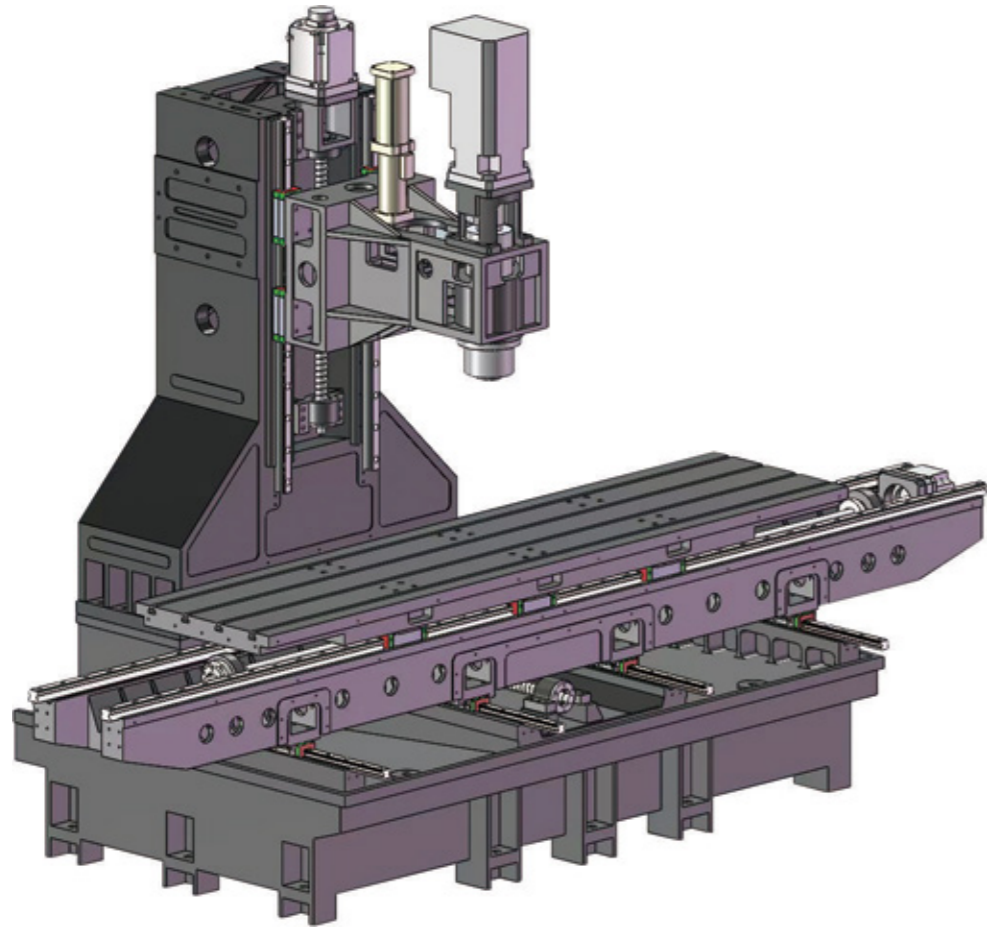


TAIWANESE QUALITY, LINEAR GUIDEWAY, FOR LONG-AXES MACHINING



Features:

- 3 axes linear guideway
- Whole production process accord to TAIWAN standard
- Most parts adopt GERMAN/JAPAN/TAIWAN brand
- High speed, high precision, long using lifespan
- Adopt HT300 high class cast iron, after aging treatment and FEA analysis
- Use 24T Arm type ATC, fast and stable tool changing, tool selection for bi-way as random.
- 3 axes use C3 class precision ball screw

Specification:

Item	Specification	Unit	BL-V2050	BL-V2080
Worktable	Table size	mm	2000×500	2100×800
	T slot(qty/width/gap)	mm	3/18/125	5/18/142.5
	Table max. loading	kg	500	800
Travel	X/Y/Z axes travel	mm	2050/520/520	2050/800/650
Spindle	Spindle type	/	BT40-140	BT40-150
	Spindle taper	/		7:24
	Distance from spindle nose to table surface	mm	100~620	120~770
	Distance from spindle center to column face	mm	550	905
	Spindle motor	kw	7.5/11,11/15*(FANUC)	11/15(FANUC)
	Spindle speed	rpm	Belt-drive: 8000/10000; Direct-drive: 12000*	
Feeding axes	X axes linear guideway width	mm	35(Roller type, 6pcs slide blocks)	45(Ball type, 6pcs slide blocks)
	Y axes linear guideway width	mm	30(Ball type,4 guideways, 8pcs slide blocks)	35(Ball type,4 guideways, 8pcs slide blocks)
	Z axes linear guideway width	mm	35(Roller type,4pcs slide blocks)	45(Roller type,4pcs slide blocks)
	X/Y/Z axes max. rapid moving speed	m/min	36/36/30	
	Cutting feed speed	m/min	15	
	X,Y,Z axes ball screw dia./pitch	mm	40/16,36/16,36/16	40/16
	X,Y,Z axes positioning accuracy	mm	±0.006/300	
	X,Y,Z axes repeatable positioning accuracy	mm	±0.005/300	
Tool magazine	Tool magazine type	/	24T Arm type	
	Max. tool weight	kg	8	
	Max. tool length	mm	300	
	Max. tool dia.(fully loaded)	mm	80	
	Max. tool dia.(no adjacent)	mm	150	
	Tool changing time	s	1.8	
Others	Overall Size	mm	4650×2250×2500	4680×2975×2580
	Weight	kg	6800	8600

*As option

Main parts list:

Item	Brand	Item	Brand
Spindle bearing	GERMANY-FAG/TAIWAN-TPI	Tool magazine	TAIWAN-OKADA
Ball screw bearing	JAPAN-NACHI/NSK/NTN	Booster cylinder	TAIWAN
Linear guideway	TAIWAN-HIWIN/PMI	Pneumatic parts	TAIWAN-AIRTAC
Ball screw	TAIWAN-HIWIN/PMI	Lubrication pump	TAIWAN-ISHAN/BEISUN
Spindle	TAIWAN-KENTURN/OKADA/ROYAL	Electric parts	FRANCE-SCHNEIDER

Standard configuration:

- FANUC 0i MF CNC Controller
- 24T Arm type tool magazine

Optional configuration:

- SIEMENS 828D CNC controller
- Tool setting probe
- 4th axes
- 5th axes